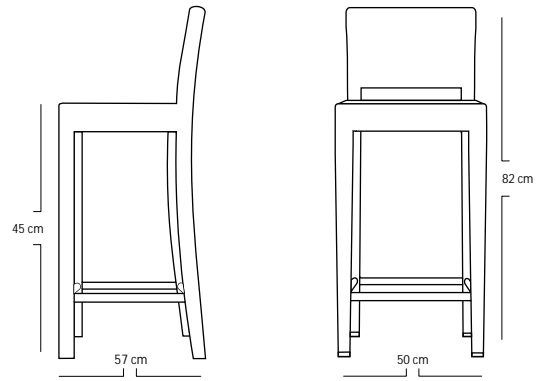


HAWAII BAR CHAIR

HBC26



SYNTHETIC WICKER

Rehau



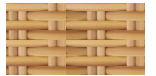
Cappuccino



Black



Whitewash



Honey Wicker



White



Shimmer Nickel



Java Brown



Shimmer Russet

Viro



Moccacino



Dark Brown



Java G3

DESCRIPTION

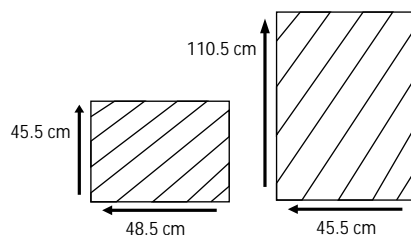
Hawaii Bar chair is made of synthetic rattan which is color fast, exceptionally strong and completely resistant to sun and rain and requires a minimum maintenance. The chair is woven with renowned fibre brand "Rehau fibre" on a strong and sturdy aluminum frame. The foot rest comes in Stainless steel 304 grade for extra durability during heavy duty usage.

DIMENSIONS

Total Width : 48 cm
 Total Depth : 45 cm
 Height : 110 cm
 Seat Height : 75 cm

PACKAGING

Weight : 9 kg /Unit
 Volume : 0.17 m³
 Packing : 1 / Box



CUSHION FABRICS

Sunproof



110
Maroon Red



044
Pacific Blue



230
Green Leaf

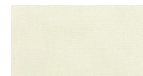


050
Bright Yellow

Sunbrella



5403
Jockey Red



5404
Natural White



5476
Hearther Beige



5446
Forest Green



4610
Turquoise



5401
Pacific Blue